

American Standard

CERATHERM

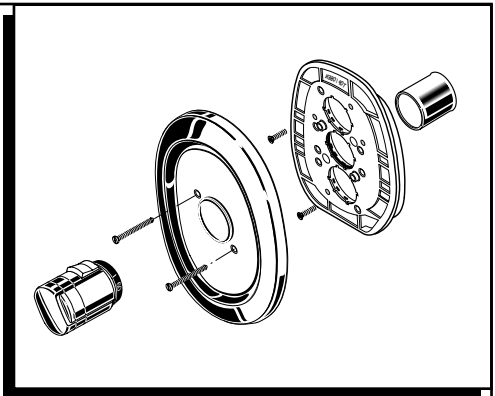
**CENTRAL THERMOSTAT
LESS VOLUME CONTROL
TRIM KIT**

Thank you for selecting American-Standard...the benchmark of fine quality for over 100 years.

To ensure that your installation proceeds smoothly—please read these instructions carefully before you begin.

**Installation
Instructions**

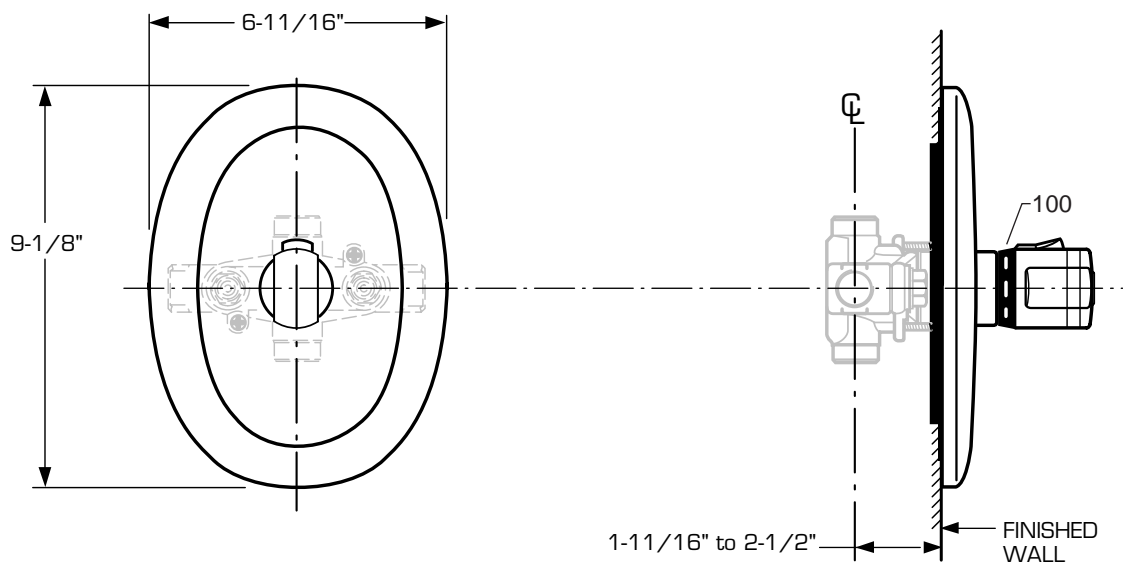
**T050110
T050120**



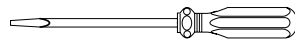
Certified to comply with ANSI A112.18.1M
ASSE 1016

M968265

ROUGHING-IN DIMENSIONS



Recommended Tools



Flat Blade Screwdriver



Phillips Screwdriver

CARE INSTRUCTIONS:

- To keep your new faucet looking new, please follow these simple care instructions:

DO: ■ Simply rinse the faucet clean with clear water.
■ Dry the faucet with a soft cotton cloth.

DO NOT:

- Do not use any abrasive cleaners, cloths, or paper towels.
- Do not use any cleaning agents containing acids, polish abrasives, or harsh cleaners or soaps.

- Regular and routine cleaning will reduce the need for heavy cleaning and polishing. If heavy cleaning is required, the following procedures are recommended:

- Remove as much surface dirt and film using clear water and soft cotton cloth (as described above).

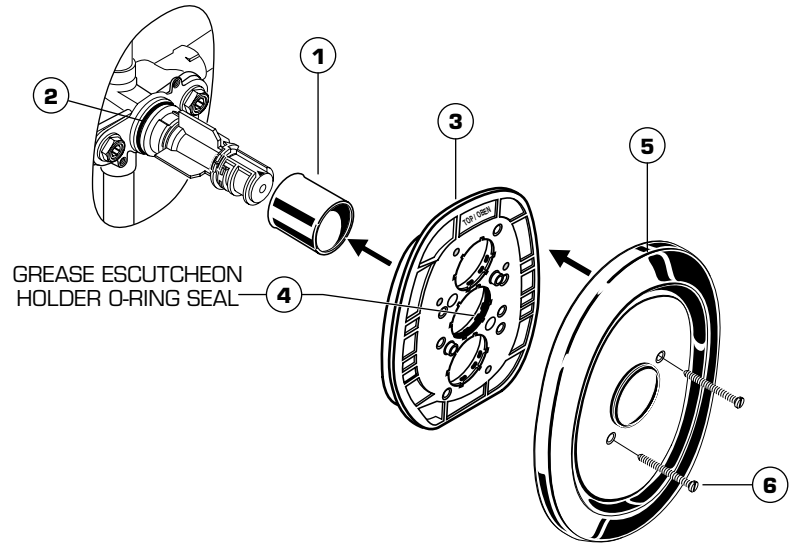
- Use any of the following to remove tough surface film and build-up:
 - Mild liquid detergents
 - Clear ammonia free liquid glass cleaners
 - Non-acidic, non-abrasive gentle liquid or fully dissolved powder cleansers mixed according to manufacturers directions.
 - Non-abrasive liquid polishes

- Once clean, rinse faucet again with clear water to thoroughly remove cleaner or polish and blot dry with a soft cotton cloth.

Failure to follow these care instructions may damage the Faucet's finish.

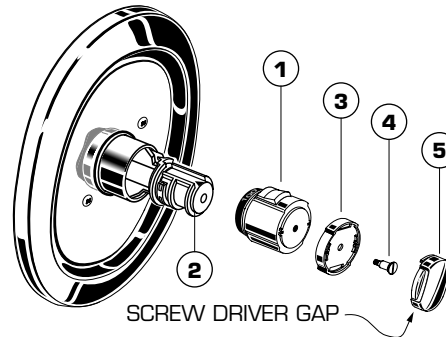
1 TRIM INSTALLATION

- Push CAP (1) over the O-RING SEAL (2).
- Push ESCUTCHEON HOLDER (3) with lightly greased O-RING SEAL (4) over CAP (1).
- Push on ESCUTCHEON (5) and attach with (60mm) SCREWS (6) to valve body.



2 HANDLE INSTALLATION

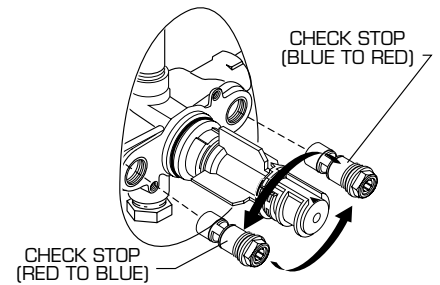
- Push TEMPERATURE-CONTROL KNOB (1) (with the red stop on top) onto KNOB MOUNT (2).
- Install HANDLE RING (3) and tighten CONTROL KNOB (1) with HANDLE RING (3) in place using HANDLE SCREW (4).
- Install KNOB CAP (5), (gap for screwdriver for use when disassembling should point downwards).



3 TRANSPOSED SUPPLY PIPING OR BACK TO BACK INSTALLATION

Should the hot and cold water supply pipes have been transposed making adjustment impossible, proceed as follows:

- Shut off water supply.
- Remove handle and rim
- Remove check stops and re-install them transposed.
- Important note: RED CHECK STOP is now on the right of the mixer body and the BLUE CHECK STOP is now on the left.
- Turn the water supply back on and perform the temperature adjustment in step 4.

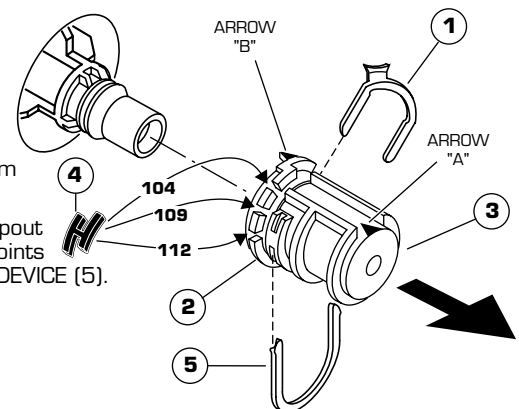


4 TEMPERATURE CALIBRATION

- Check that arrow marking B points vertically upwards. If not, push the BLACK CLAMP (1) on the SECURING RING (2) to the right, pull off KNOB MOUNT (3) and reinstall KNOB MOUNT (3) with arrow "B" pointing upwards.

SET HOT LIMIT STOP

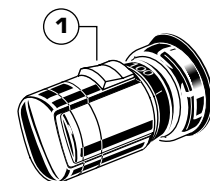
- The maximum mixed water temperature is set at 109 F at the factory. This setting can be changed if desired.
- Remove the TEMPERATURE LIMIT STOP (4) (H shaped Black Plastic part). Reinstall it at the desired notch as indicated in the diagram to limit the maximum mixed water temperature to 104 F or 112 F.
- For 100 F adjustment, turn the water supply on. Turn KNOB MOUNT (3) until the spout temperature is 100 F. Check that arrow marking A on the KNOB MOUNT (3) still points upward after adjusting the thermostat to 100 F. If not, pull out the RED LOCKING DEVICE (5). Remove KNOB MOUNT (3) without turning by sliding out as indicated by the arrow.
- Reinstall the KNOB MOUNT (3) so that the arrow marking A points upwards.
- Reinstall RED LOCKING DEVICE (5).



5 OPERATING THE VALVE

If the system is delivering all Hot or all Cold and no mixed water the pipes are probably transposed.

- If a temperature over 100 F is desired, pull the RED STOP BUTTON (1) away from the body of the MIXER UNIT and turn the TEMPERATURE KNOB.
- This will increase the mixed water temperature up to the maximum limit previously selected in step 4.



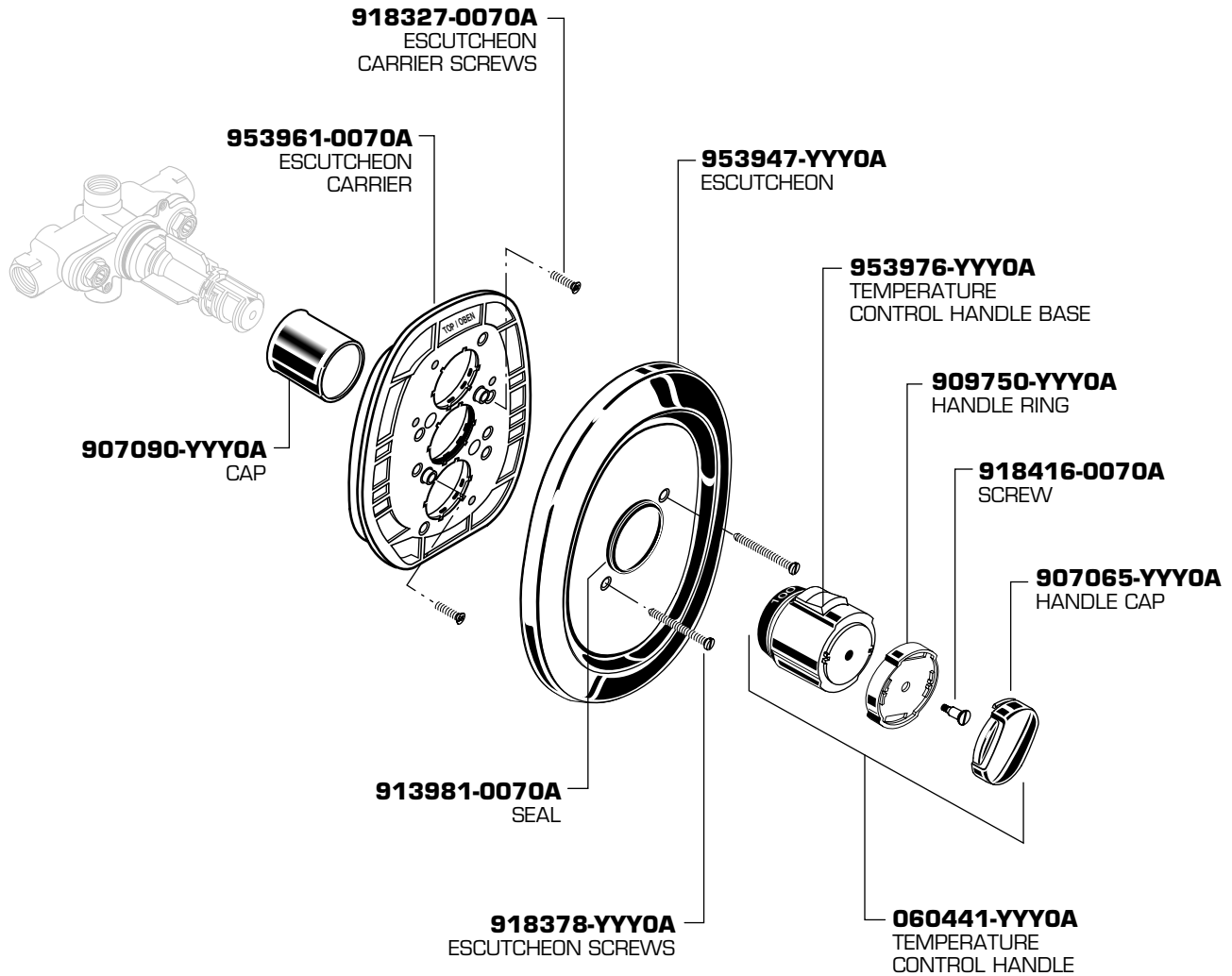
American Standard

CERATHERM

**CENTRAL THERMOSTAT
LESS VOLUME CONTROL
TRIM KIT**

MODEL NUMBERS

**T050110
T050120**



Replace the "YYY" with
appropriate finish code

CHROME	002
POLISHED BRASS	099
SATIN	295
CHR/POL. BRASS (MIXAGE)	299



HOT LINE FOR HELP
For toll-free information and answers to your questions, call:
1-800-442-1902
Weekdays 8:00 a.m. to 8:00 p.m. EST

IN CANADA 1-800-387-0369 (TORONTO 1-905-306-1093)
Weekdays 8:00 a.m. to 7:00 p.m. EST

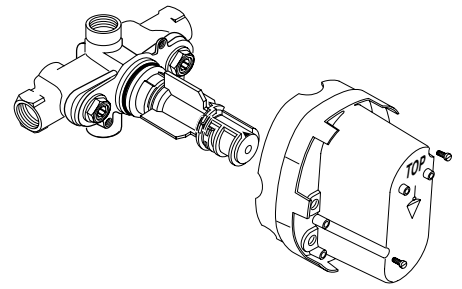
Product names listed herein are trademarks of American Standard Inc.
© American Standard Inc. 2003

M968265

CERATHERM

**ROUGH VALVE KIT
CENTRAL THERMOSTAT
LESS VOLUME CONTROL**

**R510
R530**



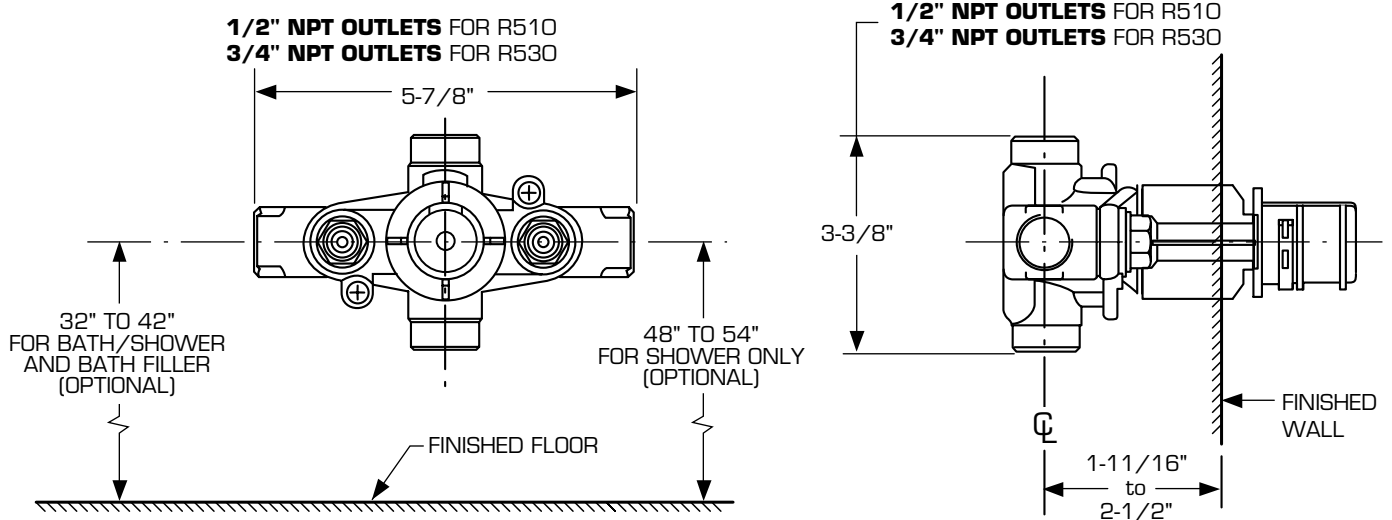
Thank you for selecting American-Standard...the benchmark of fine quality for over 100 years.

To ensure that your installation proceeds smoothly—please read these instructions carefully before you begin.

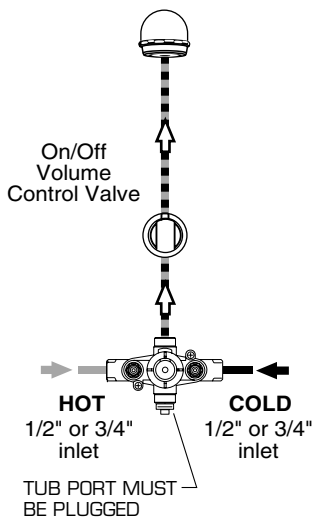
Certified to comply with ANSI A112.18.1M ASSE 1016

M968256A

ROUGHING-IN DIMENSIONS



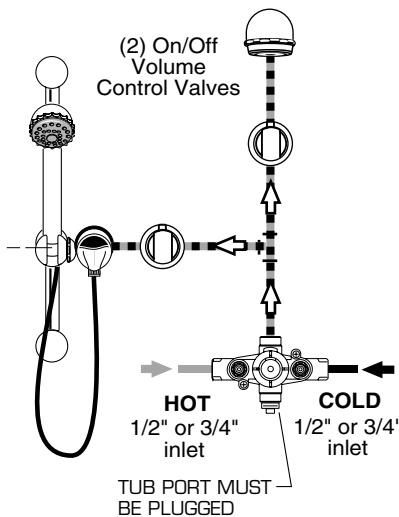
THERMOSTATIC SHOWER INSTALLATION USING ONE ON/OFF VALVE AND FIXED SHOWER



INLET AND OUTLET CONNECTIONS ARE 1/2" NPT FOR R510

INLET AND OUTLET CONNECTIONS ARE 3/4" NPT FOR R530

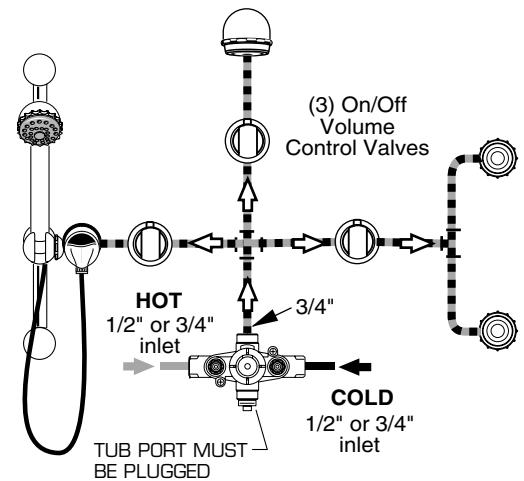
THERMOSTATIC SHOWER INSTALLATION USING TWO ON/OFF VALVES, FIXED SHOWER AND ADJUSTABLE HAND HELD SHOWER



INLET AND OUTLET CONNECTIONS ARE 1/2" NPT FOR R510

INLET AND OUTLET CONNECTIONS ARE 3/4" NPT FOR R530

THERMOSTATIC SHOWER INSTALLATION USING THREE ON/OFF VALVES, FIXED SHOWER, ADJUSTABLE HAND HELD SHOWER AND TWO BODY SPRAYS



INLET AND OUTLET CONNECTIONS ARE 1/2" NPT FOR R510
INLET AND OUTLET CONNECTIONS ARE 3/4" NPT FOR R530

**NOTE: TO OPERATE ALL FOUR OUTLETS AT THE SAME TIME THE MINIMUM REQUIREMENTS ARE:
FLOWING PRESSURE OF 40 PSI WITH R510
FLOWING PRESSURE OF 20 PSI WITH R530**

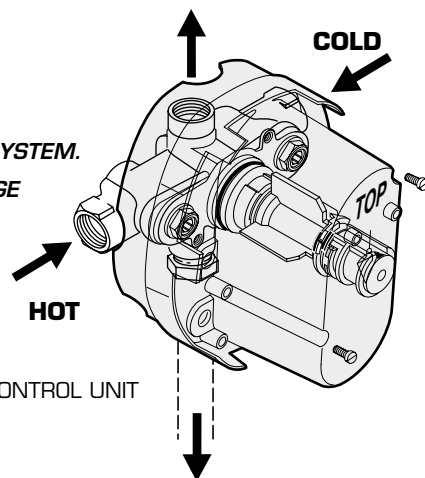
1 ROUGHING-IN THE VALVE

CAUTION Turn off hot and cold water supplies before beginning.

- Prepare water supplies per ROUGHING-IN DIMENSIONS. Make sure the finished wall is between the minimum 1-11/16" and maximum 2-1/2" rough dimension.
- Install VALVE (1) at indicated height and depth. Make sure the "TOP" marking on the PLASTER GUARD (2) is up. For support, use pipe BRACES (3) secured to wooden braces.
- Connect the hot and cold water supplies. Assemble all connecting pipes. Close off the tub port if it is not needed using a commercially available pipe plug. Connections are 1/2" NPT or 3/4" NPT.
- **IMPORTANT! INSTALL ANY REQUIRED SHUT OFF OR DIVERTER VALVE INTO THE PIPING SYSTEM.**

WARNING DO NOT SOLDER DIRECTLY TO THE VALVE BODY (1); THIS WILL DAMAGE THE TEMPERATURE CONTROL ELEMENT AND CHECK STOP VALVES.

- If the CHECK STOPS (4, 5) were removed during installation, ensure the hot and cold CHECK STOPS (4, 5) are not reversed. The hot CHECK STOP (4) has a red top and the cold CHECK STOP (5) has a blue top.
- CHECK STOPS (4,5) are supplied in the open position. Closing using 5/32" (4 mm) hex wrench to pressure test and to check for leaks.
- To flush lines, remove the CHECK STOPS (4,5) and run water. If desired, the TEMPERATURE CONTROL UNIT can be removed. Reinstall CHECK STOPS (4,5) and CONTROL UNIT (6), if it was removed.
- Remove PLASTER GUARD (2) if still installed. Turn on water supplies and check for leaks.
- Reassemble PLASTER GUARD (2) and FINISH WALL.
- **Beware of Freezing.** No water should remain in the MIXING VALVE if freezing is a possibility. Remove the CHECK STOPS (4,5) to completely drain the MIXER UNIT (1).



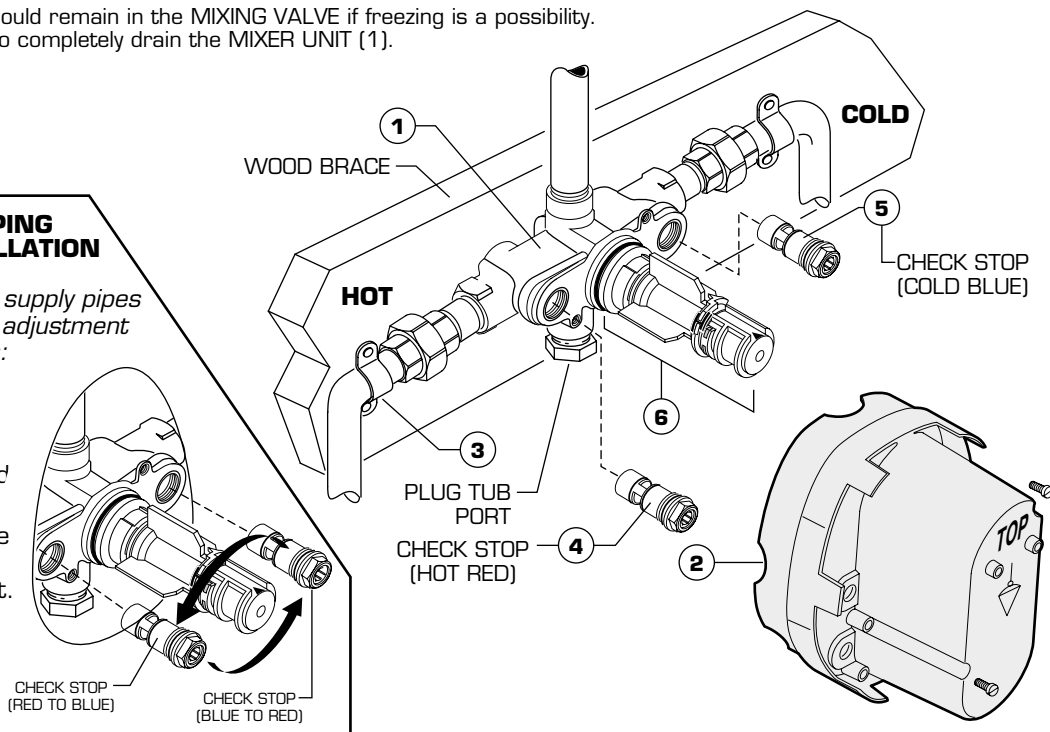
2 TRANSPOSED SUPPLY PIPING OR BACK TO BACK INSTALLATION

- Should the hot and cold water supply pipes have been transposed making adjustment impossible, proceed as follows:

- Shut off water supply.
- Remove handle and rim
- Remove check stops and re-install them transposed

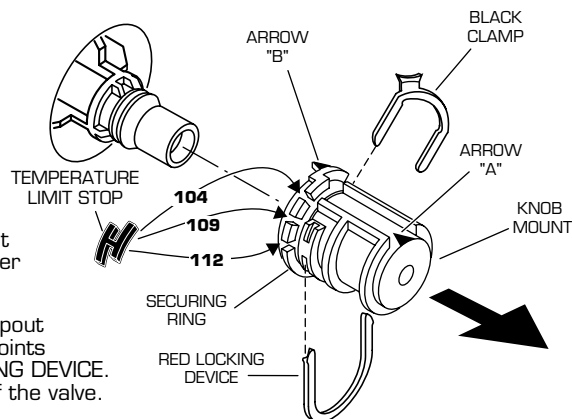
- Important note: RED CHECK STOP is now on the right of the mixer body and the BLUE CHECK STOP is now on the left.

- Turn the water supply back on and perform the temperature adjustment in step 3.



3 TEMPERATURE CALIBRATION

- Unscrew PLASTER GUARD SCREWS and remove PLASTER GUARD.
- Check that arrow marking B points vertically upwards. If not, push the BLACK CLAMP on the SECURING RING to the right, pull off KNOB MOUNT and reinstall KNOB MOUNT with arrow "B" pointing upwards.
- The maximum mixed water temperature is set at 109 F at the factory. This setting can be changed if desired.
- Remove the TEMPERATURE LIMIT STOP (H shaped Black Plastic part). Reinstall it at the desired notch as indicated in the diagram to limit the maximum mixed water temperature to 104 F or 112 F.
- For 100 F adjustment, turn the water supply on. Turn KNOB MOUNT until the spout temperature is 100 F. Check that arrow marking A on the KNOB MOUNT still points upward after adjusting the thermostat to 100 F. If not, pull out the RED LOCKING DEVICE. Remove KNOB MOUNT by pulling it towards you while standing directly in front of the valve.
- Reinstall the KNOB MOUNT so that the arrow marking A points upwards.
- Reinstall RED LOCKING DEVICE.



MODEL NUMBERS

**R510
R530**

953950-0070A
CHECK STOP R510
(COLD BLUE)

A953971-0070A
CHECK STOP R530
(COLD BLUE)

A954820-0070A
THERMOSTAT CARTRIDGE
R510

954040-0070A
THERMOSTAT CARTRIDGE
R530

953963-0070A
HANDLE
EXTENSION

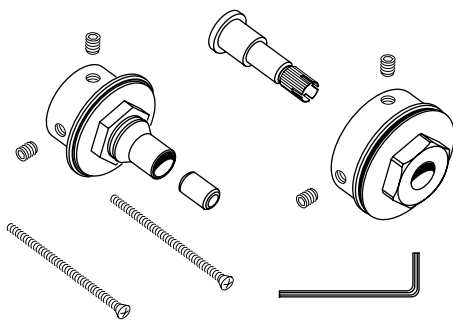
953951-0070A
CHECK STOP R510
(HOT RED)

A953972-0070A
CHECK STOP R530
(HOT RED)

912647-0070A
O-RING

953957-0070A
TEMPERATURE
CALIBRATION
UNIT

**963434-0020A DEEP ROUGH KIT
SOLD SEPARATELY**



HOT LINE FOR HELP
For toll-free information and answers to your questions, call:
1-800 442-1902
Weekdays 8:00 a.m. to 8:00 p.m. EST

IN CANADA 1-800-387-0369 (TORONTO 1-905-306-1093)
Weekdays 8:00 a.m. to 7:00 p.m. EST

Product names listed herein are trademarks of American Standard Inc.
© American Standard Inc. 2003